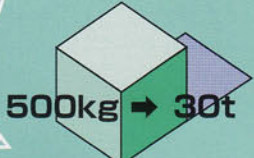
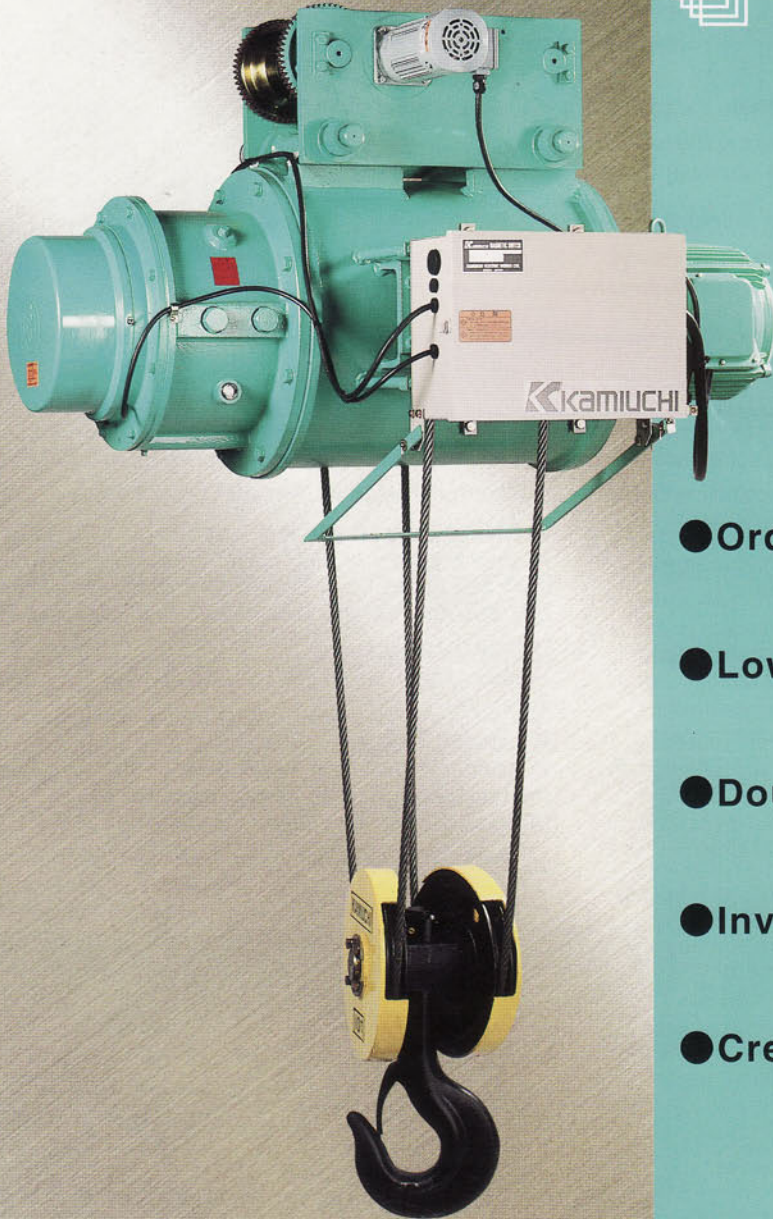


R-TYPE HOIST GUIDE



500kg → 30t



- Ordinary type
- Low headroom type
- Double rail type
- Inverter type
- Creep speed type

APPLICATION OF CONSTRUCTION STANDARDS

Before selecting hoists, investigate operating and environmental conditions.

CHECK

- 1.[Capacity] How many tons is the lifting load ?
- 2.[Lifting] How many meters is the lifting height ?
- 3.[Operating conditions] Indoor or Outdoor ?
- 4.[Application] Up and Down, Up/Down and Left/Right, or Up/Down Plus East/West/South/ North (Crane operation) ?
- 5.[Power supply] How many voltage and 50Hz or 60Hz ?

..... Rated load shows the maximum load which hoist can lift up.

Over load can not be admitted by the relative laws and regulation.

The most suitable normal load is 50-63% of the rated load for safety and long time operation.

..... Lifting height is the height to lift up the load.

Select the height at the time when the hook reached the ground.

It is regulated that more than two rounds of wire should remain on the drum at the lowest position.

SPECIAL OPERATING CONDITIONS

There would be case where the standard hoist can not be used according to operation and/or environmental conditions. KAMIUCHI have been manufacturing lots of special hoists in order to comply with wide requests from our customers. Pay attention to the following conditions.

1. Different voltage

Instruct voltage and frequency other than standard power supply 3 phase AC200V 50/60Hz and AC220V 60 Hz.

2. Designation of control voltage

In case of different voltage and less than 200V, a transformer is to be required and so instruct it to us.

3. Operating environment

Indoor operation is a standard. In case of outdoor operation, the housing is necessary. Standard specification can be applied to small amount of dust. Special specifications are to be required for applications where acid and/or steam exist. No anti-explosive type is available.

4. Alteration of speed

In case both low or high speed is to be required, there is a case that the modification can be made with the same model or a case that the alteration of the model is necessary.

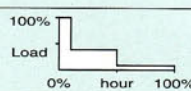
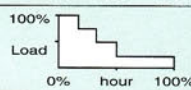
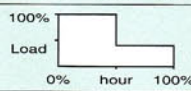
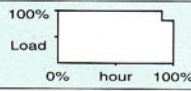
5. Stationary type

Stationary type, which can be used as winch, is manufactured separately.

6. Lifting height

In special high lifting head type of semi-standard type, the lifting height up to 45m is standardized.
(In case of double rail type, up to 36m)

CLASSIFICATION OF LIFTING DEVICE

Load rate		Total operating hour (Average daily operating hour)	Less than 800 (≤ 0.5)	More than 800 Less than 1600 (≤ 1)	More than 1600 Less than 3200 (≤ 2)	More than 3200 Less than 6300 (≤ 4)	More than 6300 Less than 12500 (≤ 8)	More than 12500 Less than 25000 (≤ 16)	More than 25000 ($16 <$)
Light load		Normally less than 50% of rated load. Seldom at rated load.	A	A	A	B	C	D	E
Medium load		Normally more than 50% and less than 63% of rated load. Sometimes at rated load.	A	A	B	C	D	E	F
Heavy load		Normally more than 63% and less than 80%. Often at rated load.	A	B	C	D	E	F	F
Extra heavy load		Normally more than 80%. Mostly at rated load or nearly rated load.	B	C	D	E	F	F	F

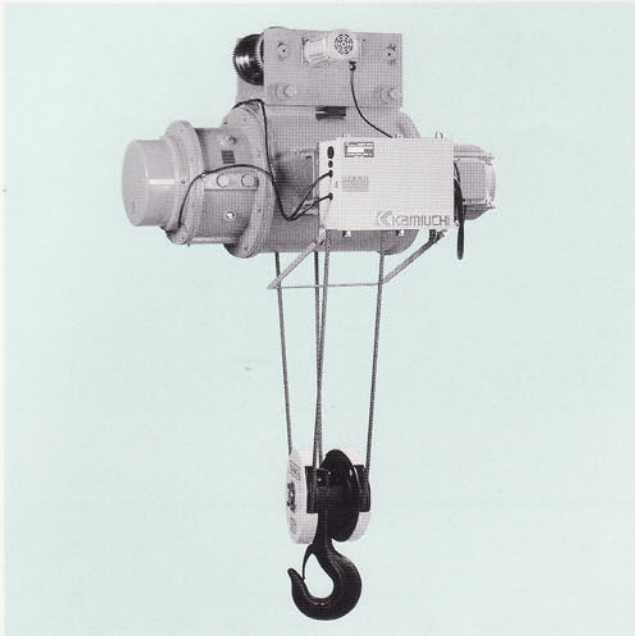
APPLICATION EXAMPLE OF LIFTING DEVICE CLASS TO VARIOUS CRANE

CRANE TO BE APPLIED	CLASSIFICATION OF LIFTING DEVICE, ETC.
Crane for Electric power generating station use Crane for Disassembly and inspection use	A
Crane for Machine and Erection plant use	A
Crane for general plant	B - D
Overhead travelling crane (with bucket and with magnet)	D - F
General bridge type crane	B - C

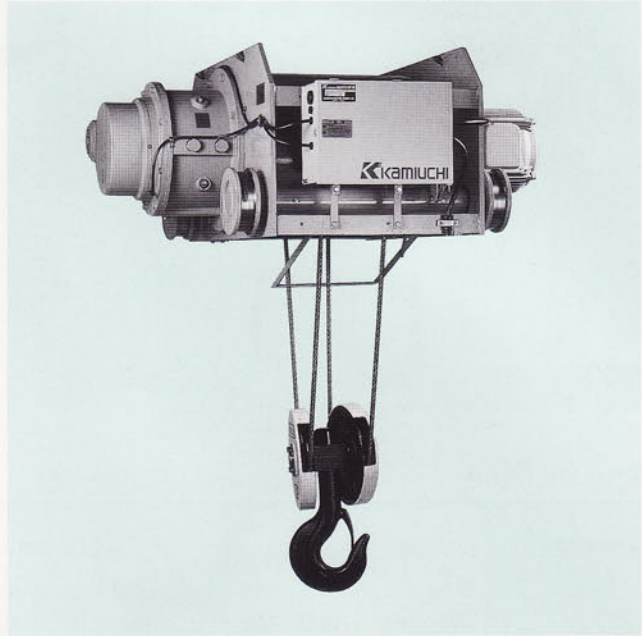
HOIST CLASS, ED RATE AND STARTING FREQUENCY

TYPE	CLASS	ED RATIO (%ED)	STARTING FREQUENCY (Time/hour)
R	D	40	240

Ordinary Type



Double Rail Type



Features:

- The totally-enclosed, self-cooled, class F insulation motors, designed for the new series, have high efficiency, high performance, and high torque, and excel in durability.
- All motors are furnished with an external terminal box, and are easy to wire and maintain.
- Made of excellent heat resistant insulating materials, the insulation system is high in reliability, resisting humidity, heat and environment.
- The torque characteristic and starting input characteristic have a sufficient allowance.
- The hoist motor is provided with radiation fin, which keeps the temperature rise to a minimum.
- All the motors are of a low noise type.
- As Trolley brake is equipped with Release device, hoist can be moved under Power supply cut-off condition at the time of installation and maintenance and inspection.
- As Trolley motor is equipped with heat radiator fin and external fan, it can restrain heat increase.

Standard Specification

Power source	Three-phase 200V 50Hz/60Hz · 220V60Hz · 380V, 400V50Hz · 400V, 440V60Hz	
Control	Pendant control unit for floor-operation	
Rating	60-minute rating	
Service temperature	-10°C~40°C	
Protective structure	Totally enclosed dustproof type	
Duty rating	40%ED	
Pertinent standards	JIS C 9620(Electric Hoist) and Japanese Construction	
Paint color	Hoist body	Munsell 2.5BG6/6.5
	Trolley motor	Munsell 2.5PB7/4
	Control box	Munsell 5Y7/1
	Load block cover	Munsell 2.5Y8/12(over 5t)
	Load block cover	Munsell 5.5YR6.5/12(bellow 3t)

Safety device:

- Magnet (Electromagnetic) brake
Disc type DC brake is applied for winding-up and trolley. Lining made from Non-asbestos material with excellent abrasion resistant performance is applied and so can be used for long time without anxiety. Their construction is very simple and easy for the beake gap adjustment. Easy usage and performance are improved remarkably.
- Dual upper limit switch
The control circuit is cut off by the first upper limit switch to stop lifting. In the case of reverse phase operation, reverse winding or short-circuit the second upper limit switch cut off the main circuit, of the hoist motor.
- Load limiter (option)
Overload preventing device through electric current detecting system.
- Power line sensor (option)
Contact-fusion detecting device. Voltage converter will be required, if the power source for main circuit is NOT 3-phase, 200V (50Hz/60Hz). Consult us.
- Thermal unit (option)
Detecting the winding temperature of the motor, this is a safety unit to stop the motor when the temperature exceeds the limit.

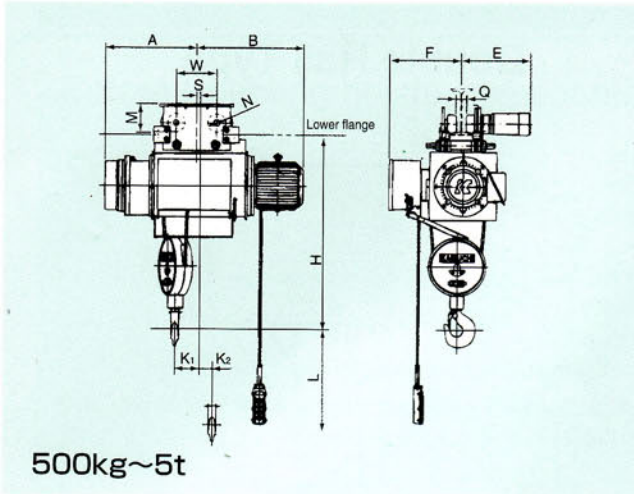
Monorail Size (I-beam)

Rated Load	Flange width (mm)	
	500kg·1t	75 ^{**} 、100、125 ^{**} 、150 ^{**}
2t	100 ^{**} 、125 ^{**} 、150、175 ^{**}	
2.8t·3t	125 ^{**} 、150、175 ^{**}	
5t	125 ^{**} 、150 ^{**} 、175	
7.5t	150、175 ^{**} 、190 ^{**}	
10t	150、175 ^{**} 、190 ^{**}	
15t	175 ^{**} 、190	
20t	175 ^{**} 、190	

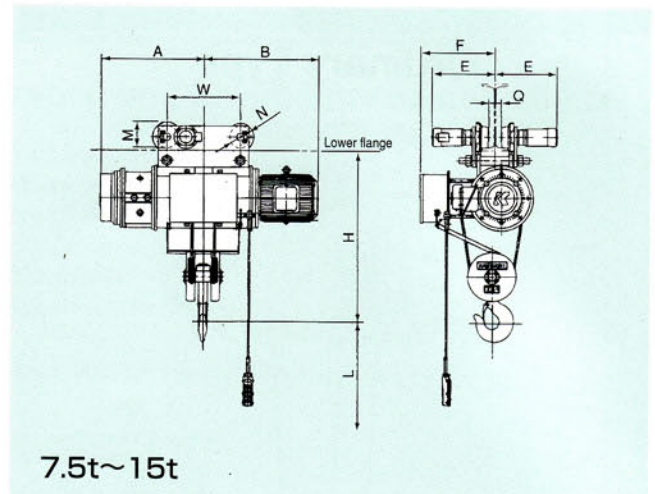
※ Please make contact beforehand. If flange width is not specified, the rail in the ^{**}-mark width will be shipped.

Ordinary type

• Motor trolley hoist



500kg~5t



7.5t~15t

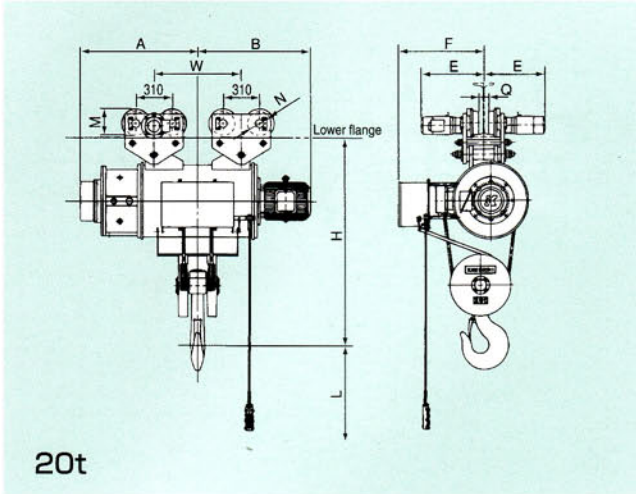
● Specification

Rated Load		500kg		1t		2t		2.8t		3t		5t		7.5t		10t		15t		
Model		RMT-1/2C	RMT-1/2CH	RMT-1C	RMT-1CH	RMT-2C	RMT-2CH	RMT-2.8C	RMT-2.8CH	RMT-3C	RMT-3CH	RMT-5C	RMT-5CH	RMT-7.5C	RMT-7.5CH	RMT-10C	RMT-10CH	RMT-15C	RMT-15CH	
Lifting Height (m)		6	12	6	12	6	12	6	12	6	12	6	12	6	12	6	12	6	12	
Hoist	Hoist Lifting Speed (m/min.)	50Hz	10	10	7.5	7.5	7.5	7.5	7.5	7	5	4.5	4.5							
		60Hz	12	12	9	9	9	9	9	8.4	6	5.5	5.5							
	Hoist Motor	kW	1.5	2.6	3.7	5.3	5.5	9	11	11	18.5									
		Pole	4	4	4	4	4	4	4	4	6	6	4							
Rated Current (A)	200V	50Hz	7.0	11.5	16	24	24	24	34	48	48	68								
		60Hz	6.6	11.5	16	24	24	24	34	48	48	68								
	220V	60Hz	6.6	10.5	15	23	23	32	46	46	64									
Trolley	Trolley Speed (m/min.)	50Hz	21	21	21	21	21	21	21	21	18.5	18.5								
		60Hz	25	25	25	25	25	25	25	25	22	22								
	Trolley Motor	kW	0.2	0.2	0.4	0.4	0.4	0.4	0.75	2×0.4	2×0.4	2×0.75								
		Pole	4	4	4	4	4	4	4	4	4	4								
	Rated Current (A)	200V	50Hz	1.2	1.2	2.3	2.3	2.3	2.3	3.9	2×2.3	2×2.3	2×3.9							
60Hz			1.1	1.1	2.0	2.0	2.0	2.0	3.4	2×2.0	2×2.0	2×3.4								
220V		60Hz	1.1	1.1	2.0	2.0	2.0	2.0	3.3	2×2.0	2×2.0	2×3.3								
Wire Rope	Falls	2	2	2	2	2	2	2	2	2	4	4	4	4	4	4	4	4	4	
	Construction	6×W (19)				6×Fi (29)														
Approx. Dimensions (mm)	L	6000	12000	6000	12000	6000	12000	6000	12000	6000	12000	6000	12000	6000	12000	6000	12000	6000	12000	
	H	650	650	750	750	920	920	1080	1080	1080	1080	1300	1300	1150	1150	1400	1400	1650	1650	
	A	335	405	370	445	430	500	470	560	470	560	560	660	710	910	780	955	935	1135	
	B	325	395	415	540	420	530	465	555	465	555	600	700	800	1000	785	960	875	1075	
	E	355	355	355	355	390	390	390	390	390	390	495	495	430	430	440	440	535	535	
	F	290	290	330	330	365	365	415	415	415	415	475	475	550	550	690	690	750	750	
	K1	40	75	50	125	50	100	55	105	55	105	65	120							
	K2	40	70	50	75	45	75	50	90	50	90	50	100							
	W	190	190	190	190	230	230	230	230	230	230	280	280	500	500	450	450	600	600	
	M	130	130	130	130	155	155	155	155	155	155	180	180	176	176	176	176	224	224	
	N	φ80	φ80	φ80	φ80	φ100	φ100	φ100	φ100	φ100	φ100	φ130	φ130	φ150	φ150	φ150	φ150	φ200	φ200	
	Q	66	66	66	66	50	50	50	50	50	50	74	74	73	73	81	81	72	72	
	S	0	0	0	25	0	20	0	0	0	0									
Approx. weight (kg)		140	160	170	190	310	360	370	420	370	420	650	690	800	900	1300	1450	2000	2150	
Min. Radius		4mR				3mR				4.5mR		7mR		6mR		8mR				
Standard I beam width (mm)		125						150		175										

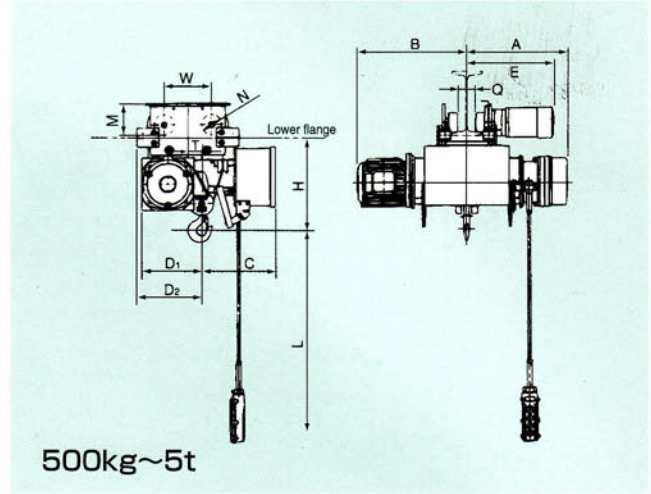
※Dimensions E and Q vary with the rail width.

Low headroom type

• Motor trolley hoist



20t



500kg~5t

● Specification

Rated Load		20t		
Model		RMT-20C	RMT-20CH	
Lifting Height (m)		6	12	
Hoist	Hoist Lifting Speed (m/min.)	50Hz	4.5	
		60Hz	5.5	
	Hoist Motor	kW	22	
		Pole	4	
Rated Current (A)	200V	50Hz	86	
		60Hz	86	
	220V	60Hz	82	
Trolley	Trolley Speed (m/min.)	50Hz	18.5	
		60Hz	22	
	Trolley Motor	kW	2×0.75	
		Pole	4	
Rated Current (A)	200V	50Hz	2×3.9	
		60Hz	2×3.4	
	220V	60Hz	2×3.3	
Wire Rope	Falls	4		
	Construction	6×Fi (29)		
Approx. Dimensions (mm)	Dia (mm)	L	6000	12000
		H	1750	1750
		A	1010	1235
		B	975	1200
		E	535	535
		F	770	770
		K1		
		K2		
		W	750	1200
		M	224	224
		N	φ 200	φ 200
		Q	72	72
		Approx. weight (kg)		2150
Min. Radius		8mR		
Standard I beam width (mm)		175		

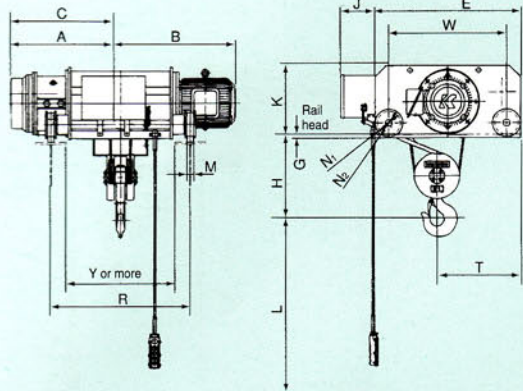
※Dimensions E and Q vary with the rail width.

● Specification

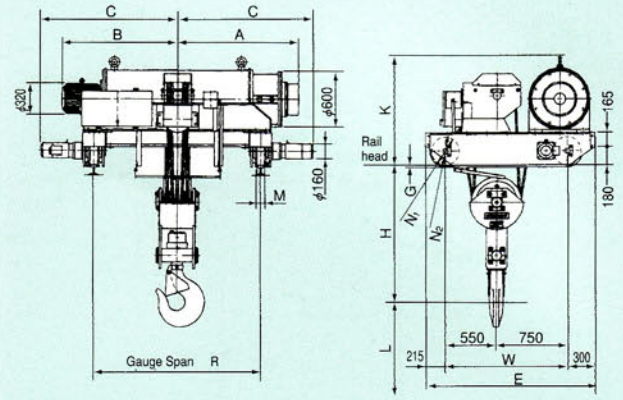
Rated Load		500kg	1t	2t	2.8t	3t	5t					
Model		RMT-1/2CL	RMT-1CL	RMT-1CLH	RMT-2CL	RMT-2CLH	RMT-2.8CL	RMT-2.8CLH	RMT-3CL	RMT-3CLH	RMT-5CL	
Lifting Height (m)		6	6	12	6	12	6	12	6	12	6	
Hoist	Hoist Lifting Speed (m/min.)	50Hz	10	10	7.5	7.5	7.5	7.5	7			
		60Hz	12	12	9	9	9	9	8.4			
	Hoist Motor	kW	1.5	2.6	3.7	5.3	5.5	9				
		Pole	4	4	4	4	4	4				
Rated Current (A)	200V	50Hz	7.0	11.5	16	24	24	34				
		60Hz	6.6	11.5	16	24	24	34				
	220V	60Hz	6.6	10.5	15	23	23	32				
Trolley	Trolley Speed (m/min.)	50Hz	21	21	21	21	21	21				
		60Hz	25	25	25	25	25	25				
	Trolley Motor	kW	0.2	0.2	0.4	0.4	0.4	0.75				
		Pole	4	4	4	4	4	4				
Rated Current (A)	200V	50Hz	1.2	1.2	2.3	2.3	2.3	3.9				
		60Hz	1.1	1.1	2.0	2.0	2.0	3.4				
	220V	60Hz	1.1	1.1	2.0	2.0	2.0	3.3				
Wire Rope	Falls	4	4	4	4	4	4	4				
	Construction	6×W (19)			6×Fi (29)							
Approx. Dimensions (mm)	Dia (mm)	L	6000	6000	12000	6000	12000	6000	12000	6000	6000	
		H	380	450	450	550	550	650	650	650	800	
		A	405	435	570	520	660	560	705	560	705	660
		B	395	480	615	510	650	555	700	555	700	700
		E	355	355	355	390	390	390	390	390	390	495
		C	295	350	350	385	385	410	410	410	410	500
		D1	240	320	320	400	400	440	440	440	440	530
		D2	265									
		W	190	190	190	230	230	230	230	230	230	280
		M	130	130	130	155	155	155	155	155	155	180
		N	φ 80	φ 80	φ 80	φ 100	φ 100	φ 100	φ 100	φ 100	φ 100	φ 130
		Q	66	66	66	50	50	50	50	50	50	74
		T	55	75	75	105	105	110	110	110	110	125
Approx. weight (kg)		150	200	230	360	420	430	480	430	480	720	
Min. Radius		4mR			3mR				4.5mR			
Standard I beam width (mm)		125				150						

※Dimensions E and Q vary with the rail width.

Double rail type • Motor trolley hoist



2.8t~20t



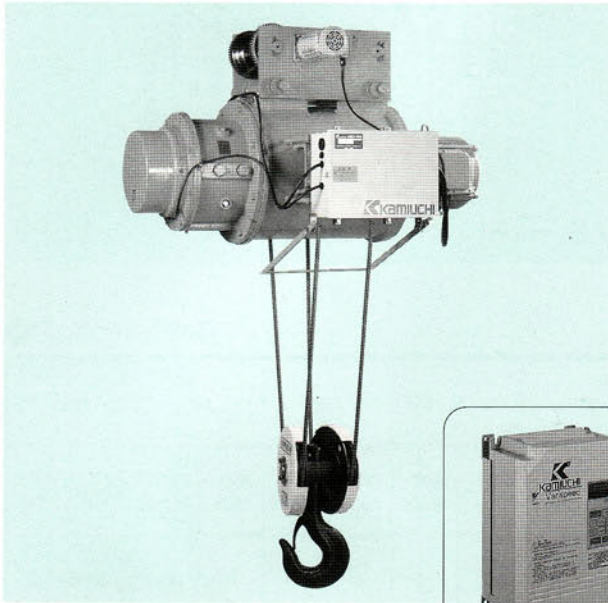
30t

● Specification

Rated Load		2.8t		3t		5t		7.5t		10t		15t		20t		30t		
Model		RMT-2.8CD	RMT-2.8CDH	RMT-3CD	RMT-3CDH	RMT-5CD	RMT-5CDH	RMT-7.5CD	RMT-7.5CDH	RMT-10CD	RMT-10CDH	RMT-15CD	RMT-15CDH	RMT-20CD	RMT-20CDH	RMT-30CD	RMT-30CDH	
Lifting Height (m)		6	12	6	12	8	12	8	12	8	12	8	12	8	12	8	12	
Hoist	Hoist Lifting Speed (m/min.)	50Hz	7.5	7.5	7	5	4.5	4.5	4.5	2.2								
		60Hz	9	9	8.4	6	5.5	5.5	5.5	5.5	2.7							
	Hoist Motor	kW	5.3	5.5	9	11	11	18.5	22	18.5								
		Pole	4	4	4	6	6	4	4	4	4							
Rated Current (A)	200V	50Hz	24	24	34	48	48	68	86	68								
		60Hz	24	24	34	48	48	68	86	68								
	220V	60Hz	23	23	32	46	46	64	82	64								
Trolley	Trolley Speed (m/min.)	50Hz	21	21	21	21	18.5	18.5	18.5	18.5								
		60Hz	25	25	25	25	22	22	22	22								
	Trolley Motor	kW	0.4	0.4	0.75	0.75	0.75	1.5	1.5	2×1.5								
		Pole	4	4	4	4	4	4	4	4								
Rated Current (A)	200V	50Hz	2.3	2.3	3.9	3.9	3.9	7.0	7.0	2×7.0								
		60Hz	2.0	2.0	3.4	3.4	3.4	6.3	6.3	2×6.3								
	220V	60Hz	2.0	2.0	3.3	3.3	3.3	6.0	6.0	2×6.0								
Wire Rope	Falls	4	4	4	4	4	4	4	4	4	4	4	4	4	4	8		
	Construction	6×Fi (29)																
Approx. Dimensions (mm)	L	6000	12000	6000	12000	8000	12000	8000	12000	8000	12000	8000	12000	8000	12000	8000	12000	
	H	450	450	450	450	540	540	600	600	650	650	800	800	950	950	1450	1450	
	A	560	705	560	705	710	810	810	910	830	955	1010	1135	1135	1235	1315	1515	
	B	555	700	555	700	750	850	900	1000	835	960	950	1075	1100	1200	1250	1450	
	C	555	700	555	700	715	815									1465	1665	
	E	780	780	780	780	930	930	950	950	1230	1230	1250	1250	1250	1250	1815	1815	
	K	380	380	380	380	440	440	470	470	630	630	680	680	680	680	1150	1150	
	W	600	600	600	600	750	750	750	750	950	950	1000	1000	1000	1000	1300	1300	
	J	200	200	200	200	225	225	225	225	225	225	260	260	280	280			
	T	450	450	450	450	535	535	540	540	665	665	690	690	690	690			
	R	650	900	650	900	900	1150	1150	1300	900	1150	1400	1400	1400	1600	1800	2200	
	Y	400	700	400	700	560	760	750	950	600	850	790	1040	1040	1240			
	M	45	45	45	45	45	45	45	45	45	45	56	56	56	56	80	80	
	G	15	15	15	15	20	20	20	20	20	20	20	20	20	20	20	20	20
	N1	φ150	φ150	φ150	φ150	φ150	φ150	φ150	φ150	φ150	φ200	φ200	φ200	φ200	φ200	φ200	φ300	φ300
N2	φ178	φ178	φ178	φ178	φ178	φ178	φ178	φ178	φ178	φ230	φ230	φ230	φ230	φ230	φ230	φ340	φ340	
Approx. weight (kg)		430	480	430	480	720	780	850	900	1400	1550	2100	2200	2250	2350	3800	4050	

R

R-TYPE INVERTER HOIST



Standard Specification

Power source	Three-phase 200V 50Hz/60Hz, 220V 60Hz, 380V 50Hz (380V · 400V 50Hz, 400V · 440V 60Hz)
Control	Pendant control unit for floor-operation (two-step push-in method)
Duty rating	40%ED
Service temperature	From -10°C to +40°C
Humidity	90%RH (not to condense dew)
Atmospher	Free from corrosive gas, low dust level
Control method	Inverter drive
Power feeding method	Cable power feeding Hoist-up inverter can be supplied from trolley (tandem collector) However, momentary power failure of over 10 msec should not occur
Protective structure	Dustproof type
Pertinent standards	JIS C 9620 (Electric Hoists) and Japanese Construction Codes for Crane

HOIST CLASS, ED RATE AND STARTING FREQUENCY

TYPE	CLASS	ED RATIO (%ED)	STARTING FREQUENCY (Time/hour)
R	D	40	240

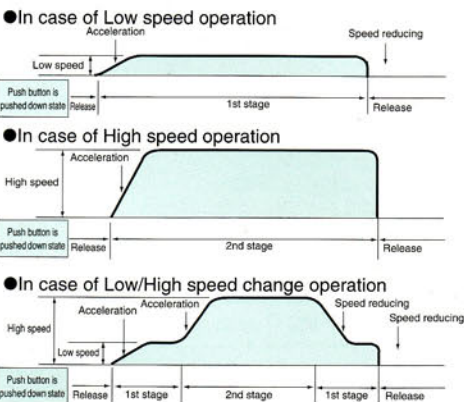
SPECIAL FEATURES

- The most suitable speed can be selected.
The winding UP/DOWN speed can be set in the range of 1-1/10 speed ratio.
The painting and galvanizing line works can be made at the most suitable speed and so the uniformalization of the products can be achieved.
- Small shock to the load.
※ In case of free run stop (Standard) control.
Smooth start and no shock at the time of speed change.
※ In case of the speed reducing stop (Semi standard) control.
Smooth start and stop and no shock. Also, no shock at the time of speed change.

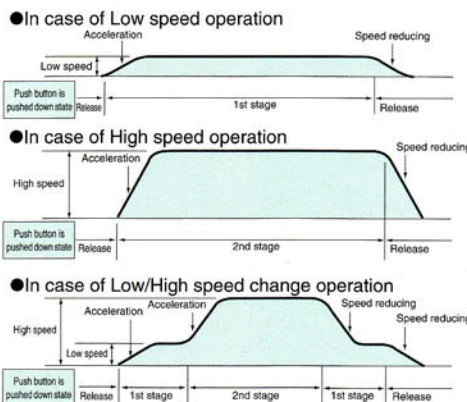
- Safety design of the built-in protection circuit.
Many protection circuits are built in and so very safety for various abnormality.
Also, the digital operator showing the contents of damages can make quick maintenance.
- Small electric power.
Inverter output suitable for motor by sensorless vector control and so no excess current at the time of low speed.
※ In case of standard model, the inverter control is only for winding up.
Regarding the inverter control of travelling and (winding up + travelling), please consult with us.
※ As option, the load limiter function and the right load speed up function are prepared.
Also, small electric power by small starting current at the time of start compared with commercial use.

OPERATION PATTERN

FREE RUN STOP (STANDARD)



SPEED REDUCING STOP (SEMI STANDARD)



※ In case of speed reducing operation, the operation is continued due to reducing the speed by the inverter after releasing the push button.
※ The above speed reducing stop is standard for travelling.

INVERTER

The inverter converts 3 phase Alternating current voltage to Direct current voltage by the diode bridge and change the rotation speed of the electric motor through the variable controlling of the frequency of the voltage to be charged to the power transistor with the micro computer (CPU).
Change the frequency in order to change the rotation speed of the induction electric motor.

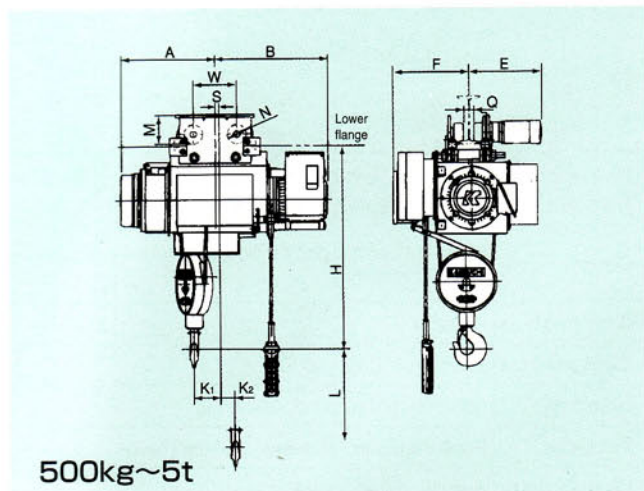
FORMULA TO FIGURE OUT THE NUMBER OF ROTATION

$$N = (120 F / P) (1 - S)$$

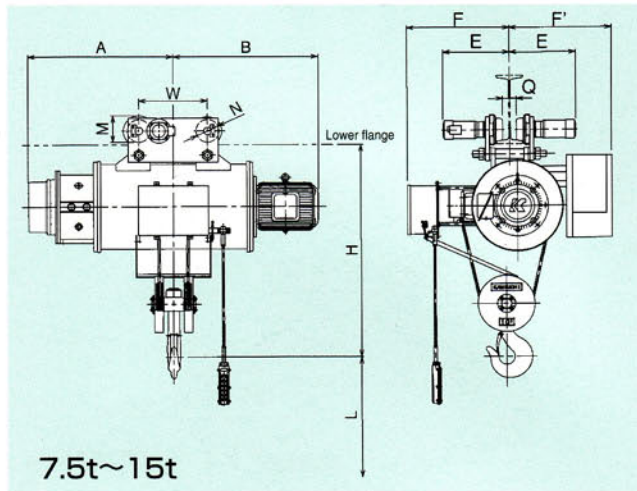
N : Rotation speed (rpm)
F : Frequency (Hz)
P : Number of pole
S : Slip (%)

Ordinary type

• Motor trolley hoist



500kg~5t



7.5t~15t

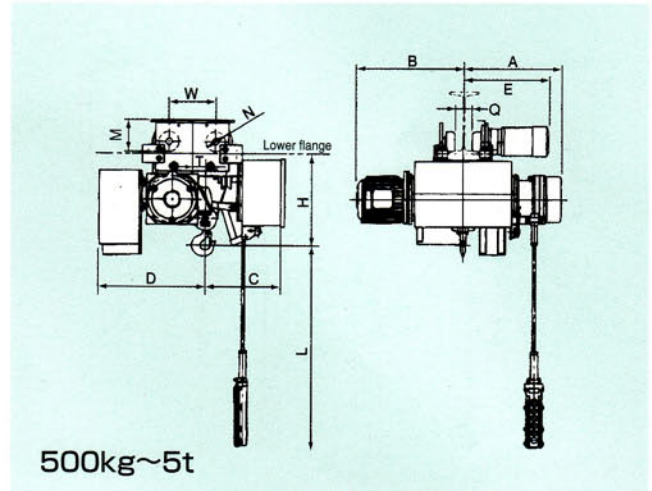
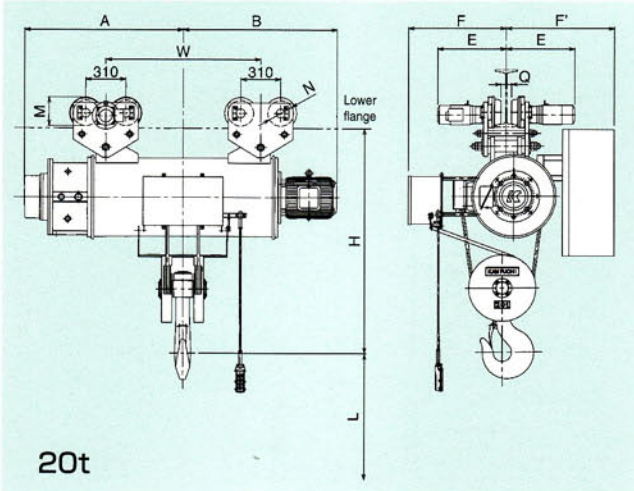
● Specification

Rated Load		500kg		1t		2t		2.8t		3t		5t		7.5t		10t		15t		
Model		RMT-1/2CV	RMT-1/2CHV	RMT-1CV	RMT-1CHV	RMT-2CV	RMT-2CHV	RMT-2.8CV	RMT-2.8CHV	RMT-3CV	RMT-3CHV	RMT-5CV	RMT-5CHV	RMT-7.5CV	RMT-7.5CHV	RMT-10CV	RMT-10CHV	RMT-15CV	RMT-15CHV	
Lifting Height (m)		6	12	6	12	6	12	6	12	6	12	6	12	6	12	6	12	6	12	
Hoist	Hoist Lifting Speed (m/min.)	50Hz	1.0-10		1.0-10		0.8-7.5		0.8-7.5		0.8-7.5		0.7-7		0.5-5		0.4-4.5		0.4-4.5	
		60Hz	1.2-12		1.2-12		0.9-9		0.9-9		0.9-9		0.8-8.4		0.6-6		0.5-5.5		0.5-5.5	
	Hoist Motor	KW	1.5		2.6		3.7		5.3		5.5		9		11		11		18.5	
		Pole	4		4		4		4		4		4		6		6		4	
Rated Current (A)	200V	50Hz	7.0		11.5		16.0		24		24		34		48		48		68	
		60Hz	6.6		11.5		16.0		24		24		34		48		48		68	
	220V	60Hz	6.6		10.5		15.0		23		23		32		46		46		64	
Trolley	Trolley Speed (m/min.)	50Hz	21		21		21		21		21		21		21		18.5		18.5	
		60Hz	25		25		25		25		25		25		25		22		22	
	Trolley Motor	KW	0.2		0.2		0.4		0.4		0.4		0.75		2×0.4		2×0.4		2×0.75	
		Pole	4		4		4		4		4		4		4		4		4	
Rated Current (A)	200V	50Hz	1.2		1.2		2.3		2.3		2.3		3.9		2×2.3		2×2.3		2×3.9	
		60Hz	1.1		1.1		2.0		2.0		2.0		3.4		2×2.0		2×2.0		2×3.4	
	220V	60Hz	1.1		1.1		2.0		2.0		2.0		3.3		2×2.0		2×2.0		2×3.3	
Wire Rope	Falls	2		2		2		2		2		2		4		4		4		
	Construction	6×W (19)				6×Fi (29)														
Approx. Dimensions (mm)	Diag	5		8		10		12.5		12.5		16		14		16		20		
	L	6000	12000	6000	12000	6000	12000	6000	12000	6000	12000	6000	12000	6000	12000	6000	12000	6000	12000	
	H	650	650	750	750	920	920	1080	1080	1080	1080	1300	1300	1150	1150	1400	1400	1650	1650	
	A	335	405	370	445	430	500	470	560	470	560	560	660	710	910	780	955	935	1135	
	B	580	580	580	580	580	580	580	580	580	580	600	700	800	1000	785	960	875	1075	
	E	355	355	355	355	390	390	390	390	390	390	495	495	430	430	440	440	535	535	
	F	360	360	360	360	395	395	420	420	420	420	475	475	550	550	690	690	750	750	
	F'													590		590		740		
	K1	40	75	50	125	50	100	55	105	55	105	65	120							
	K2	40	70	50	75	45	75	50	90	50	90	50	100							
	W	190	190	190	190	230	230	230	230	230	230	280	280	500	500	450	450	600	600	
	M	130	130	130	130	155	155	155	155	155	155	180	180	176	176	176	176	224	224	
	N	φ80	φ80	φ80	φ80	φ100	φ100	φ100	φ100	φ100	φ100	φ130	φ130	φ150	φ150	φ150	φ150	φ200	φ200	
	Q	66	66	66	66	50	50	50	50	50	50	74	74	73	73	81	81	72	72	
S	0	0	0	25	0	20	0	0	0	0										
Approx. weight (kg)		170	180	190	210	335	395	400	450	400	450	730	770	850	950	1450	1600	2150	2300	
Min. Radius		4mR				3mR				4.5mR				7mR		6mR		8mR		
Standard I beam width (mm)		125						150						175						

※Dimensions E and Q vary with the rail width.

Low headroom type

• Motor trolley hoist



● Specification

Rated Load		20t	
Model		RMT-20CV	RMT-20CHV
Lifting Height (m)		6	12
Hoist	Hoist Lifting Speed (m/min.)	50Hz	0.4-4.5
		60Hz	0.5-5.5
	Hoist Motor	kW	22
		Pole	4
Rated Current (A)	200V	50Hz	86
		60Hz	86
	220V	60Hz	82
Trolley	Trolley Speed (m/min.)	50Hz	18.5
		60Hz	22
	Trolley Motor	kW	2×0.75
		Pole	4
Rated Current (A)	200V	50Hz	2×3.9
		60Hz	2×3.4
	220V	60Hz	2×3.3
Wire Rope	Falls	4	
	Construction	6×Fi (29)	
	Dia (mm)	22.4	
Approx. Dimensions (mm)	L	6000	12000
	H	1750	1750
	A	1010	1235
	B	975	1200
	E	535	535
	F	770	770
	F'	800	800
	K ₁		
	K ₂		
	W	750	1200
	M	224	224
	N	φ 200	φ 200
	Q	72	72
Approx. weight (kg)		2300	2450
Min. Radius		8mR	
Standard I beam width (mm)		175	

※Dimensions E and Q vary with the rail width.

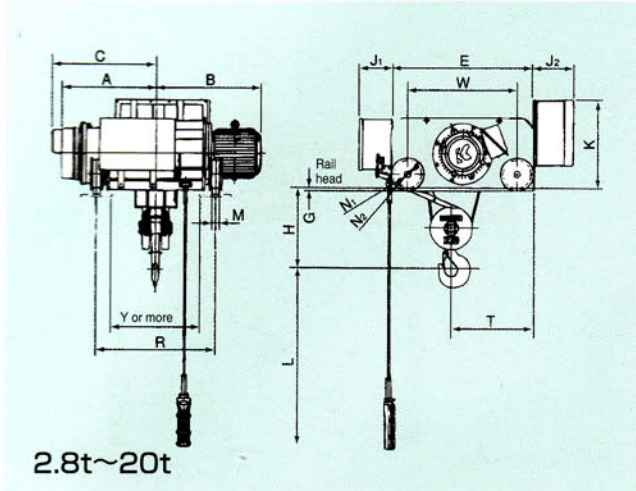
● Specification

Rated Load		500kg	1t	2t	2.8t	3t	5t	
Model		RMT-1/2CLV	RMT-1 CLV RMT-1 CLHV	RMT-2 CLV RMT-2 CLHV	RMT-2.8 CLV RMT-2.8 CLHV	RMT-3 CLV RMT-3 CLHV	RMT-5CLV	
Lifting Height (m)		6	6 12	6 12	6 12	6 12	6	
Hoist	Hoist Lifting Speed (m/min.)	50Hz	1.0-10	1.0-10	0.8-7.5	0.8-7.5	7	
		60Hz	1.2-12	1.2-12	0.9-9	0.9-9	8.4	
	Hoist Motor	kW	1.5	2.6	3.7	5.3	5.5	9
		Pole	4	4	4	4	4	4
Rated Current (A)	200V	50Hz	7.0	11.5	16	24	24	34
		60Hz	6.6	11.5	16	24	24	34
	220V	60Hz	6.6	10.5	15	23	23	32
Trolley	Trolley Speed (m/min.)	50Hz	21	21	21	21	21	21
		60Hz	25	25	25	25	25	25
	Trolley Motor	kW	0.2	0.2	0.4	0.4	0.4	0.75
		Pole	4	4	4	4	4	4
Rated Current (A)	200V	50Hz	1.2	1.2	2.3	2.3	2.3	3.9
		60Hz	1.1	1.1	2.0	2.0	2.0	3.4
	220V	60Hz	1.1	1.1	2.0	2.0	2.0	3.3
Wire Rope	Falls	4	4	4	4	4	4	
	Construction	6×W (19)	6×Fi (29)					
	Dia (mm)	4	5	8	9	9	11.2	
Approx. Dimensions (mm)	L	6000	6000	12000	6000	12000	6000	12000
	H	380	450	450	550	550	650	650
	A	405	435	570	520	660	560	555
	B	395	480	615	510	650	705	700
	E	355	355	355	390	390	390	390
	C	340	380	420	430	430	430	530
	D	430	510	570	670	670	670	810
	W	190	190	190	230	230	230	230
	M	130	130	130	155	155	155	155
	N	φ 80	φ 80	φ 80	φ 100	φ 100	φ 100	φ 100
	Q	66	66	66	50	50	50	50
	T	55	75	75	105	105	110	110
	Approx. weight (kg)		170	220	250	385	445	460
Min. Radius		4mR		3mR			4.5mR	
Standard I beam width (mm)		125					150	

※Dimensions E and Q vary with the rail width.

Double rail type

• Motor trolley hoist

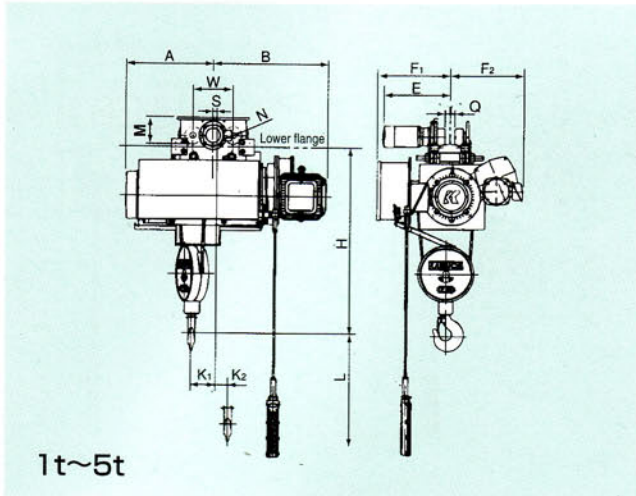


● Specification

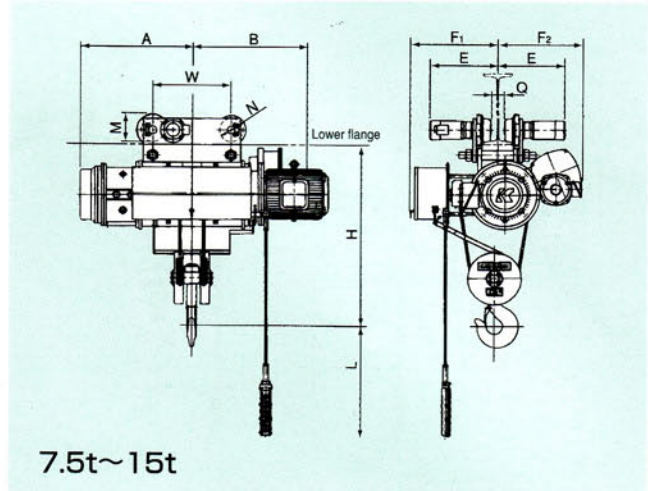
Rated Load		2.8t		3t		5t		7.5t		10t		15t		20t		
Model		RMT-2.8CDV	RMT-2.8CDHV	RMT-3CDV	RMT-3CDHV	RMT-5CDV	RMT-5CDHV	RMT-7.5CDV	RMT-7.5CDHV	RMT-10CDV	RMT-10CDHV	RMT-15CDV	RMT-15CDHV	RMT-20CDV	RMT-20CDHV	
Lifting Height (m)		6	12	6	12	8	12	8	12	8	12	8	12	8	12	
Hoist	Hoist Lifting Speed (m/min.)	50Hz	0.8-7.5		0.8-7.5		0.7-7		0.5-5		0.4-4.5		0.4-4.5		0.4-4.5	
		60Hz	0.9-9		0.9-9		0.8-8.4		0.6-6		0.5-5.5		0.5-5.5		0.5-5.5	
	Hoist Motor	kW	5.3		5.5		9		11		11		18.5		22	
		Pole	4		4		4		6		6		4		4	
Rated Current (A)	200V	50Hz	24		24		34		48		48		68		86	
		60Hz	24		24		34		48		48		68		86	
	220V	60Hz	23		23		32		46		46		64		82	
Trolley	Trolley Speed (m/min.)	50Hz	21		21		21		21		18.5		18.5		18.5	
		60Hz	25		25		25		25		22		22		22	
	Trolley Motor	kW	0.4		0.4		0.75		0.75		0.75		1.5		1.5	
		Pole	4		4		4		4		4		4		4	
Rated Current (A)	200V	50Hz	2.3		2.3		3.9		3.9		3.9		7.0		7.0	
		60Hz	2.0		2.0		3.4		3.4		3.4		6.3		6.3	
	220V	60Hz	2.0		2.0		3.3		3.3		3.3		6.0		6.0	
Wire Rope	Falls	4		4		4		4		4		4		4		
	Construction	6×Fi (29)														
Approx. Dimensions (mm)	Dia (mm)	9		9		11.2		14		16		20		22.4		
	L	6000	12000	6000	12000	8000	12000	8000	12000	8000	12000	8000	12000	8000	12000	
	H	450	450	450	450	540	540	600	600	650	650	800	800	950	950	
	A	560	705	560	705	710	810	810	910	830	955	1010	1135	1135	1235	
	B	555	700	555	700	750	850	900	1000	835	960	950	1075	1100	1200	
	C	555	700	555	700	715	815									
	E	780	780	780	780	930	930	950	950	1230	1230	1250	1250	1250	1250	
	K	480	480	480	480	650	650	650	650	650	650	1200	1200	1250	1250	
	W	600	600	600	600	750	750	750	750	950	950	1000	1000	1000	A	
	J1	200	200	200	200	225	225	225	225	225	225	260	260	280	-2	
	J2	220		220		280		280		280		310		370		1000
	T	450	450	450	450	535	535	540	540	665	665	690	690	690	280	
	R	650	900	650	900	900	1150	1150	1300	900	1150	1150	1400	1400		
	Y	450	720	450	720	560	760	750	950	600	850	790	1040	1040	690	
	M	45	45	45	45	45	45	45	45	45	45	56	56	56	1600	
	G	15	15	15	15	20	20	20	20	20	20	20	20	20	1240	
	N1	φ 150	φ 150	φ 150	φ 150	φ 150	φ 150	φ 150	φ 150	φ 200	φ 200	φ 200	φ 200	φ 200	56	
N2	φ 178	φ 178	φ 178	φ 178	φ 178	φ 178	φ 178	φ 178	φ 230	φ 230	φ 230	φ 230	φ 230	20		
Approx. weight (kg)		450	480	450	480	770	830	950	1000	1550	1700	2250	2350	2400	2500	

Creep speed
Ordinary type

• Motor trolley hoist



1t~5t



7.5t~15t

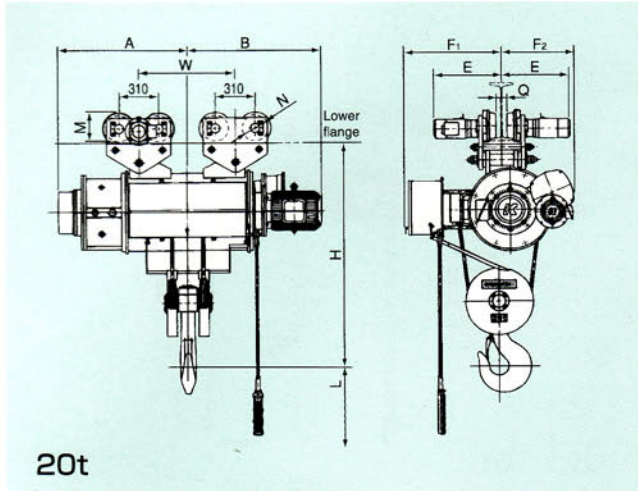
● Specification

Rated Load		1t		2t		2.8t		3t		5t		7.5t		10t		15t	
Model		RMT-1CT	RMT-1CHT	RMT-2CT	RMT-2CHT	RMT-2.8CT	RMT-2.8CHT	RMT-3CT	RMT-3CHT	RMT-5CT	RMT-5CHT	RMT-7.5CT	RMT-7.5CHT	RMT-10CT	RMT-10CHT	RMT-15CT	RMT-15CHT
Lifting Height (m)		6	12	6	12	6	12	6	12	6	12	6	12	6	12	6	12
Creep speed	Hoist Lifting Speed (m/min.)	50Hz	10	7.5	7.5	7.5	7.5	7.5	7.5	7	5	4.5	4.5	4.5	4.5	4.5	4.5
	60Hz	12	9	9	9	9	9	9	9	8.4	6	5.5	5.5	5.5	5.5	5.5	5.5
	Hoist Motor	kW	2.6	3.7	5.3	5.5	9	11	11	18.5	18.5	18.5	18.5	18.5	18.5	18.5	18.5
Creep speed	Hoist Lifting Speed (m/min.)	50Hz	1.0	0.75	0.75	0.75	0.75	0.75	0.75	0.7	0.5	0.45	0.45	0.45	0.45	0.45	0.45
	60Hz	1.2	0.9	0.9	0.9	0.9	0.9	0.9	0.9	0.84	0.6	0.55	0.55	0.55	0.55	0.55	0.55
	Hoist Motor	kW	0.75	0.75	0.75	0.75	1.5	1.1	1.8	2.6	2.6	2.6	2.6	2.6	2.6	2.6	2.6
Trolley	Trolley Speed (m/min.)	50Hz	21	21	21	21	21	21	21	21	21	18.5	18.5	18.5	18.5	18.5	18.5
	60Hz	25	25	25	25	25	25	25	25	25	25	22	22	22	22	22	22
	Hoist Motor	kW	0.2	0.4	0.4	0.4	0.4	0.75	2×0.4	2×0.4	2×0.4	2×0.4	2×0.4	2×0.4	2×0.4	2×0.4	2×0.4
Wire Rope	Falls	2		2		2		2		2		4		4		4	
	Construction	6×Fi (29)															
Approx. Dimensions (mm)	Dia (mm)	8		10		12.5		12.5		16		14		16		20	
	L	6000	12000	6000	12000	6000	12000	6000	12000	6000	12000	6000	12000	6000	12000	6000	12000
	H	750	750	920	920	1080	1080	1080	1080	1300	1300	1150	1150	1400	1400	1650	1650
	A	370	445	430	500	470	560	470	560	560	660	710	910	780	955	935	1135
	B	510	635	530	640	525	615	525	615	680	780	880	1080	865	1040	955	1155
	E	355	355	390	390	390	390	390	390	495	495	430	430	440	440	535	535
	F1	370	370	405	405	425	425	425	425	500	500	575	575	720	720	770	770
	F2	385	385	440	440	440	440	440	440	510	510	540	540	550	550	560	560
	K1	50	125	50	100	55	105	55	105	65	120						
	K2	50	75	45	75	50	90	50	90	50	100						
	W	190	190	230	230	230	230	230	230	280	280	500	500	450	450	600	600
	M	130	130	155	155	155	155	155	155	180	180	176	176	176	176	224	224
	N	φ80	φ80	φ100	φ100	φ100	φ100	φ100	φ100	φ130	φ130	φ150	φ150	φ150	φ150	φ200	φ200
	Q	66	66	50	50	50	50	50	50	74	74	73	73	81	81	72	72
S	0	25	0	20	0	0	0	0									
Approx. weight (kg)		210	260	360	440	450	530	450	530	830	870	950	1050	1450	1600	2200	2350
Min. Radius		4mR		3mR						4.5mR		7mR		6mR		8mR	
Standard I beam width (mm)		125						150		175							

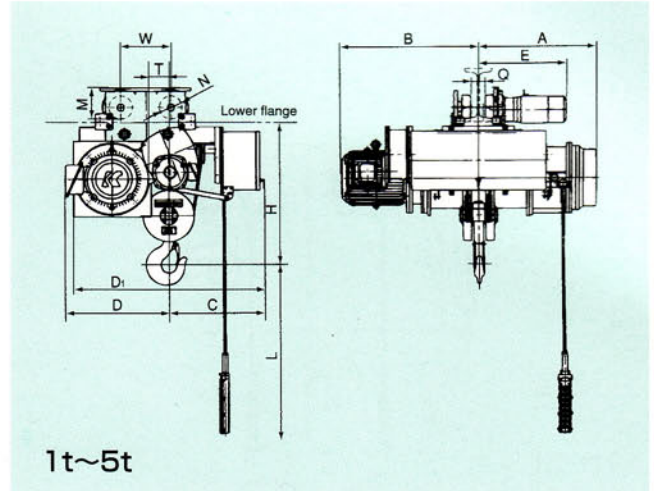
※Dimensions E and Q vary with the rail width.

Creep speed

Low headroom type • Motor trolley hoist



20t



1t~5t

● Specification

Rated Load		20t	
Model		RMT-20CT	RMT-20CHT
Lifting Height (m)		6	12
Hoist Lifting Speed (m/min.)	50Hz	4.5	
	60Hz	5.5	
Hoist Motor	kW	22	
Creep Lifting Speed (m/min.)	50Hz	0.45	
	60Hz	0.55	
Creep Hoist Motor	kW	2.6	
Trolley Speed (m/min.)	50Hz	18.5	
	60Hz	22	
Trolley Hoist Motor	kW	2×0.75	
Wire Rope	Falls	4	
	Construction	6×Fi (29)	
	Dia (mm)	22.4	
Approx. Dimensions (mm)	L	6000	12000
	H	1750	1750
	A	1010	1235
	B	1055	1280
	E	535	535
	F1	790	790
	F2	560	560
	K1		
	K2		
	W	750	1200
	M	224	224
N	φ 200	φ 200	
Q	72	72	
Approx. weight (kg)		2350	2500
Min. Radius		8mR	
Standard I beam width (mm)		175	

※ Dimensions E and Q vary with the rail width.

● Specification

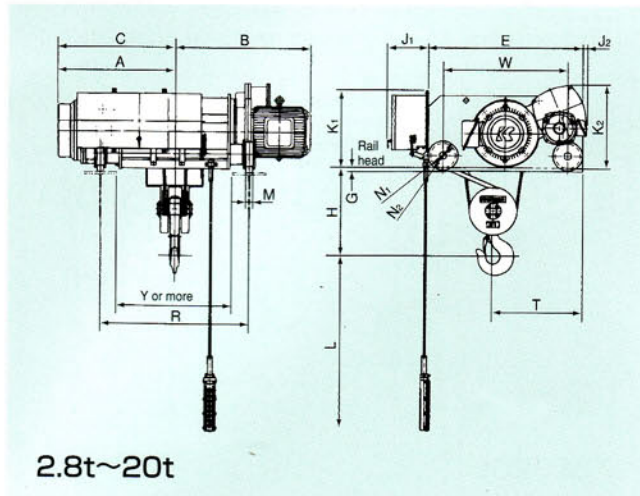
Rated Load		1t		2t		2.8t		3t		5t	
Model		RMT-1 CLT	RMT-1 CLHT	RMT-2 CLT	RMT-2 CLHT	RMT-2.8 CLT	RMT-2.8 CLHT	RMT-3 CLT	RMT-3 CLHT	RMT-5CLT	
Lifting Height (m)		6	12	6	12	6	12	6	12	6	
Hoist Lifting Speed (m/min.)	50Hz	10	7.5	7.5	7.5	7.5	7.5	7.5	7.5	7	
	60Hz	12	9	9	9	9	9	9	9	8.4	
Hoist Motor	kW	2.6	3.7	5.3	5.5	5.5	5.5	5.5	5.5	9	
Creep Lifting Speed (m/min.)	50Hz	1.0	0.75	0.75	0.75	0.75	0.75	0.75	0.75	0.7	
	60Hz	1.2	0.9	0.9	0.9	0.9	0.9	0.9	0.9	0.84	
Creep Hoist Motor	kW	0.75	0.75	0.75	0.75	0.75	0.75	0.75	0.75	1.5	
Trolley Speed (m/min.)	50Hz	21	21	21	21	21	21	21	21	21	
	60Hz	25	25	25	25	25	25	25	25	25	
Trolley Hoist Motor	kW	0.2	0.4	0.4	0.4	0.4	0.4	0.4	0.4	0.75	
Wire Rope	Falls	4		4		4		4		4	
	Construction	6×W(19)		6×Fi (29)		6×Fi (29)		6×Fi (29)		6×Fi (29)	
	Dia (mm)	5		8		9		9		11.2	
Approx. Dimensions (mm)	L	6000	12000	6000	12000	6000	12000	6000	12000	6000	12000
	H	450	450	550	550	650	650	650	650	650	800
	A	435	570	520	660	560	555	560	555	560	660
	B	575	710	620	760	615	760	615	760	615	780
	E	355	355	390	390	390	390	390	390	390	495
	Q	66	66	50	50	50	50	50	50	50	74
	D1	320	320	400	400	440	440	440	440	440	530
	D2	355	355	425	425	495	495	495	495	495	585
	W	190	190	230	230	230	230	230	230	230	280
	M	130	130	155	155	155	155	155	155	155	180
	N	φ80	φ80	φ100	φ100	φ100	φ100	φ100	φ100	φ100	φ130
	C	390	390	420	420	420	420	420	420	420	550
	T	75	75	105	105	110	110	110	110	110	125
	Approx. weight (kg)		290	340	450	530	540	600	540	600	900
Min. Radius		4mR		3mR						4.5mR	
Standard I beam width (mm)		125						150			

※ Dimensions E and Q vary with the rail width.

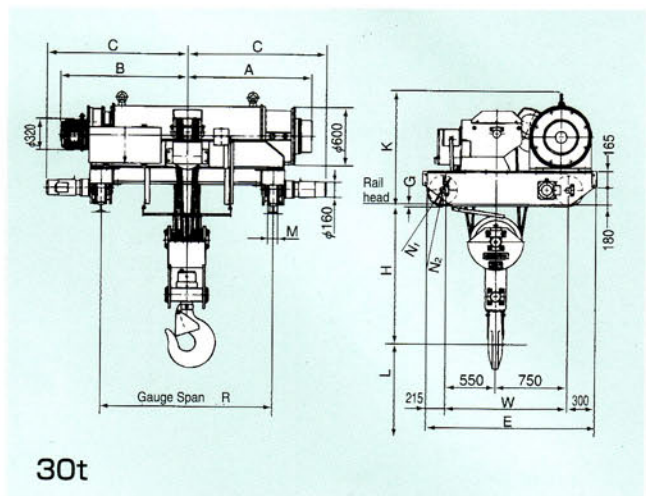
Creep speed

Double rail type

• Motor trolley hoist



2.8t~20t



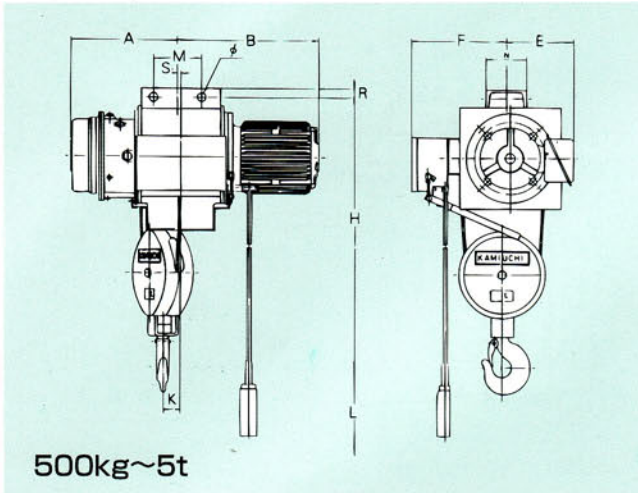
30t

Specification

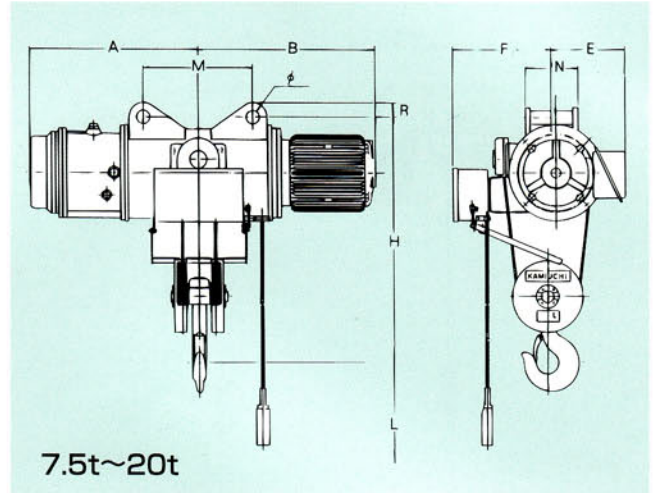
Rated Load		2.8t		3t		5t		7.5t		10t		15t		20t		30t	
Model		RMT-2.8CDT	RMT-2.8CDHT	RMT-3CDT	RMT-3CDHT	RMT-5CDT	RMT-5CDHT	RMT-7.5CDT	RMT-7.5CDHT	RMT-10CDT	RMT-10CDHT	RMT-15CDT	RMT-15CDHT	RMT-20CDT	RMT-20CDHT	RMT-30CDT	RMT-30CDHT
Lifting Height (m)		6	12	6	12	8	12	8	12	8	12	8	12	8	12	8	12
Overhead Cable Sawer	Hoist Lifting Speed (m/min.)	50Hz	7.5	7.5	7.5	7	7	5	5	4.5	4.5	4.5	4.5	4.5	4.5	2.2	2.2
	60Hz	9	9	9	9	8.4	8.4	6	6	5.5	5.5	5.5	5.5	5.5	5.5	2.7	2.7
	Hoist Motor	kW	5.3	5.5	5.5	9	9	11	11	11	11	18.5	18.5	22	22	18.5	18.5
Overhead Cable Sawer	Hoist Lifting Speed (m/min.)	50Hz	0.75	0.75	0.75	0.7	0.7	0.5	0.5	0.45	0.45	0.45	0.45	0.45	0.45	0.22	0.22
	60Hz	0.9	0.9	0.9	0.9	0.84	0.84	0.6	0.6	0.55	0.55	0.55	0.55	0.55	0.55	0.27	0.27
	Hoist Motor	kW	0.75	0.75	0.75	0.9	0.9	1.1	1.1	1.1	1.1	2.6	2.6	2.6	2.6	2.6	2.6
Trolley	Trolley Speed (m/min.)	50Hz	21	21	21	21	21	21	21	18.5	18.5	18.5	18.5	18.5	18.5	18.5	18.5
	60Hz	25	25	25	25	25	25	25	25	22	22	22	22	22	22	22	22
	Hoist Motor	kW	0.4	0.4	0.4	0.75	0.75	0.75	0.75	0.75	0.75	1.5	1.5	1.5	1.5	2×1.5	2×1.5
Wire Rope	Falls	4		4		4		4		4		4		4		8	
	Construction	6×Fi (29)															
	Dia (mm)	9		9		11.2		14		16		20		22.4		20	
Approx. Dimensions (mm)	L	6000	12000	6000	12000	8000	12000	8000	12000	8000	12000	8000	12000	8000	12000	8000	12000
	H	450	450	450	450	540	540	600	600	650	650	800	800	950	950	1450	1450
	A	560	705	560	705	710	810	810	910	830	955	1010	1135	1135	1235	1315	1515
	B	615	760	615	760	830	930	980	1080	915	1040	1030	1155	1180	1280	1330	1530
	C	555	700	555	700	715	815									1465	1665
	E	780	780	780	780	930	930	950	950	1230	1230	1250	1250	1250	1250	1815	1815
	K1	460	460	460	460	470	470	470	470	630	630	680	680	680	680	1150	1150
	K2	420	420	420	420	505	505	520	520								
	W	600	600	600	600	750	750	750	750	950	950	1000	1000	1000	1000	1300	1300
	J1	200	200	200	200	250	250	260	260	260	260	285	285	300	300		
	J2					25	25	15	15								
	T	450	450	450	450	535	535	540	540	665	665	690	690	690	690		
	R	650	900	650	900	900	1150	1150	1300	900	1150	1150	1400	1400	1600	1800	2200
	Y	400	700	400	700	560	760	750	950	600	850	790	1040	1040	1240		
	M	45	45	45	45	45	45	45	45	45	45	56	56	56	56	80	80
	G	15	15	15	15	20	20	20	20	20	20	20	20	20	20	20	20
N1	φ150	φ150	φ150	φ150	φ150	φ150	φ150	φ150	φ200	φ200	φ200	φ200	φ200	φ200	φ200	φ300	φ300
N2	φ178	φ178	φ178	φ178	φ178	φ178	φ178	φ178	φ230	φ230	φ230	φ230	φ230	φ230	φ230	φ340	φ340
Approx. weight (kg)		500	550	500	550	900	960	1000	1050	1550	1700	2300	2400	2450	2550	4000	4250

Ordinary type

• Suspended



500kg~5t



7.5t~20t

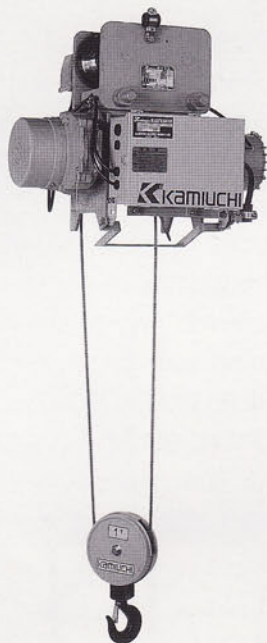
● Specification

Rated Load		500kg		1t		2t		2.8t		3t		5t		7.5t		10t		15t		20t		
Model		RH-1/2C	RH-1/2CH	RH-1C	RH-1CH	RH-2C	RH-2CH	RH-2.8C	RH-2.8CH	RH-3C	RH-3CH	RH-5C	RH-5CH	RH-7.5C	RH-7.5CH	RH-10C	RH-10CH	RH-15C	RH-15CH	RH-20C	RH-20CH	
Lifting Height (m)		6	12	6	12	6	12	6	12	6	12	6	12	6	12	6	12	6	12	6	12	
H o i s t	Hoist Lifting Speed (m/min.)	50Hz	10	10	7.5	7.5	7.5	7.5	7.5	7.5	7	5	4.5	4.5	4.5	4.5	4.5	4.5	4.5	4.5	4.5	
		60Hz	12	12	9	9	9	9	9	9	8.4	6	5.5	5.5	5.5	5.5	5.5	5.5	5.5	5.5	5.5	
	Hoist Motor	kW	1.5	2.6	3.7	5.3	5.5	5.5	9	11	11	18.5	22									
		Pole	4	4	4	4	4	4	4	4	6	6	4	4								
Rated Current (A)	200V 50Hz	7.0	11.5	16	24	24	24	34	48	48	68	86										
	200V 60Hz	6.6	11.5	16	24	24	24	34	48	48	68	86										
	220V 60Hz	6.6	10.5	15	23	23	23	32	46	46	64	82										
Wire Rope	Falls	2	2	2	2	2	2	2	2	2	4	4	4	4	4	4	4	4	4	4	4	
	Construction	6×W (19)						6×Fi (29)														
	Dia (mm)	5	8	10	12.5	12.5	16	14	16	20	22.4											
Approx. Dimensions (mm)	L	6000	12000	6000	12000	6000	12000	6000	12000	6000	12000	6000	12000	6000	12000	6000	12000	6000	12000	6000	12000	
	H	600	700	870	1020	1020	1250	1080	1320	1550	1600											
	A	335	405	370	445	430	500	470	560	470	560	560	660	710	910	780	955	935	1135	1010	1235	
	B	325	395	415	540	420	530	465	555	465	555	600	700	800	1000	785	960	875	1075	975	1200	
	E	175	205	255	255	255	290	285	330	365	365											
	F	290	330	365	415	415	475	550	690	750	770											
	K ₁	40	75	50	125	50	100	55	105	55	105	65	120									
	K ₂	40	70	50	75	45	75	50	90	50	90	50	100									
	M	150	150	220	220	220	240	500	450	600	750	1200										
	φ	22	22	32	32	32	39	45	45	60	75											
	N	125	125	150	150	150	200	240	240	240	240											
	R	25	25	30	30	30	40	45	45	65	75											
	S	0	0	0	25	0	20	0	0	0	0											
Approx. weight (kg)		105	125	125	145	265	315	325	375	325	375	570	610	600	700	1150	1300	1700	1850	1850	2000	

KAMIUCHI HOIST SERIES APPLICABLE FOR ALL APPLICATION

Kamiuchi prepare so many and abundant hoist series that each customer can select according to their application. Please make the best use of Kamiuchi hoists, being proud of the outstanding actual sales and reliability, for rationalization and energy saving of transportation works and improvement of operation efficiency.

S-TYPE HOIST series (1t~3t)



Hoist of handy type and highly economical type.

Ordinary type

Low headroom type

Double rail type

Inverter type

K-TYPE HOIST series (500kg~60t)



Hoist of high reliability and complying with various needs.

Ordinary type

Creep speed type

Double rail type

High lifting head type

Inverter type

All chain driving type

Home Hoist

- Handy tool at home, shop or factory.
- Small and light home Hoist is portable, yet it lifts max. 200kg.



Model	KL-1	KLC-1
Rated Load	200Kg	
Hoist Lifting Speed	3~5m/min	0~5m/min
Control Voltage	50/60Hz 100V	
Hoist Motor	140W	
Net Weight	Approx. 7kg	
Lifting Height	3m·6m	
Chain	Link chain (φ5)	
Control	Pendant control unit for floor-operation	

Air Hoist

- Installable anywhere if air feed piping is available.
- Weighing only 15.5kg.



Model	AH-1RN	AH-2RN
Rated Load	500kg	1000kg
Air Pressure	6kg/cm ²	
Lifting Height	3m	
Hose Aperture	12.7mm	
Hoist Lifting Speed (Rated load)	14m/min.	7m/min.
Air Consumption	1.3m ³ /min.	
Net Weight	15.5kg	21.5kg

Power light

- The net weight is only 32kg (lug type), and the size is small, so it can be carried easily.



Model	PMT-1
Rated Load	250kg
Power source	Three-phase 200V 50/60Hz
Lifting Height	4m
Hoist Lifting Speed	50Hz 5m/min·60Hz 6m/min
Hoist Motor	0.4kw
Trolley Speed	50Hz 19m/min·60Hz 22.5m/min
Trolley Motor	0.12kw
Wire Rope Fall x Dia	2-φ4mm
Min. curve radius	1.5mR